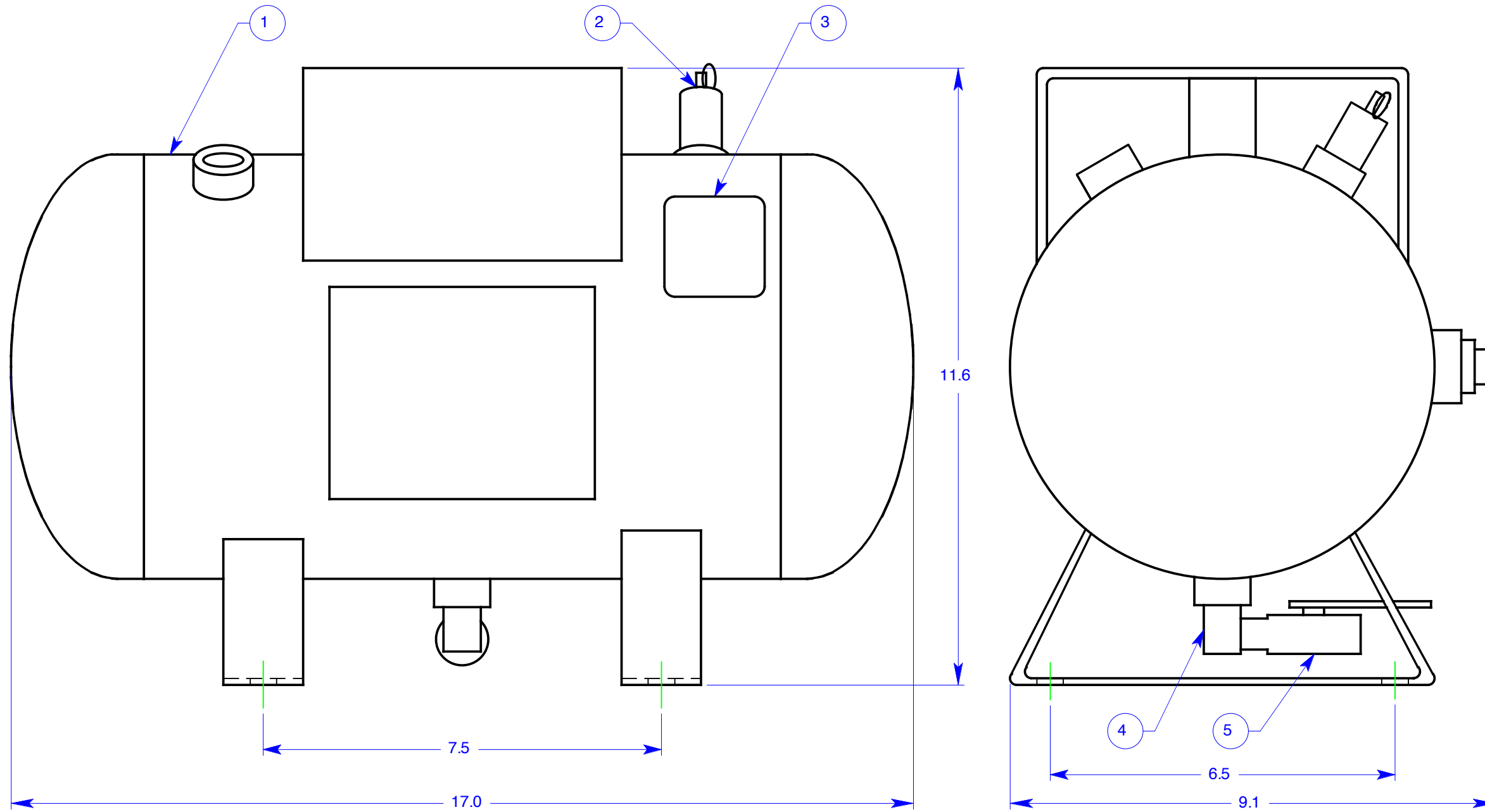


Reference Drawings	
Drawing#	Title
D0008	P0003 Label Printing Instruction List

REVISIONS			
REV	DESCRIPTION	DATE	APPROVED
1	Changed to 350 psi relief valve	3/3/04	RAV



Item	Part Number	Description	Qty.
1	P0010	Tank	1
2	1004V24	350psi Relief Valve	1
3	P0003	Logo Label	1
4	1004L01	Street Elbow	1
5	1004V13	Vent Valve	1

NOTES:
 1. Chase all female pipe ports on the tank, including the one on the platform, with an oiled pipe tap to clean them prior to assembly.
 2. In referencing drawing D0008, use the following number: D0008-1.

UNLESS OTHERWISE SPECIFIED DIMENSIONS ARE IN INCHES TOLERANCES ON: 2 PL DECIMALS +/- 0.01 3 PL DECIMALS +/- 0.003 ANGLES +/- 0.5° FRACTIONS +/- 1/16	SIGNATURES		DATE	MPS MIDWEST PRESSURE SYSTEMS Midwest Pressure Systems, Inc. 1035 Entry Drive, Bensenville, IL 60106 <h3>3.5 Gallon Tank Kit</h3>
	DRAWN	RAV	5/7/98	
	CHECKED			
	ENGRG			
MATERIAL:	ISSUED	RAV	5/7/98	
				DWG NO AG001 REV 1 SCALE 1:2 SHEET