

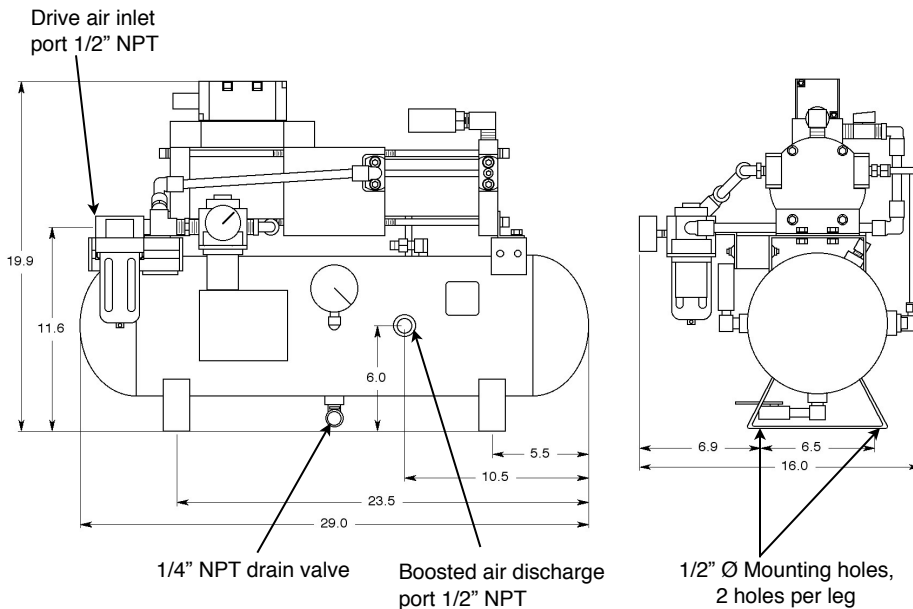
Model Number S42A5

5/1 Ratio Air Pressure Booster System on a 5.5 Gallon Tank

This air pressure booster system uses shop air to boost the pressure of a shop air system. The drive air piston reciprocates automatically and drives the air compressor piston. The booster is unlubricated, and uses filled Teflon® piston seals and rod seals. It requires no electricity, cooling water, or air-line lubricator and is explosionproof.

The maximum discharge pressure is equal to 5 times the shop air supply pressure. The following graph shows the maximum flowrate capability for a range of shop air supply pressures and discharge pressures.

The boosted air flowrate and discharge pressure can be controlled by throttling the drive air flowrate and/or regulating the drive air pressure. When there is no demand for high pressure air, the booster stalls when it reaches the maximum discharge pressure. When there is a need for high pressure air the pressure in the discharge line drops which causes the booster to restart automatically.



Dimensions are in inches

MODEL S42A5 FEATURES

- 1/2" NPT female air inlet port
- 1/2" NPT female air discharge port
- 5.5 gallon, 625 psi ASME tank
- 600 psi safety relief valve
- 1/4" NPT drain valve
- 1/2" NPT shop air supply filter
- Shop air pressure regulator
- Regulated air pressure gauge
- Discharge air pressure gauge
- Exhaust muffler

MODEL S42A5 SPECIFICATIONS

- Capable of 100% duty cycle
- Shop air pressure range: 30-125 psig
- Discharge pressure range: 30-590 psig
- Approximate weight of 81 pounds

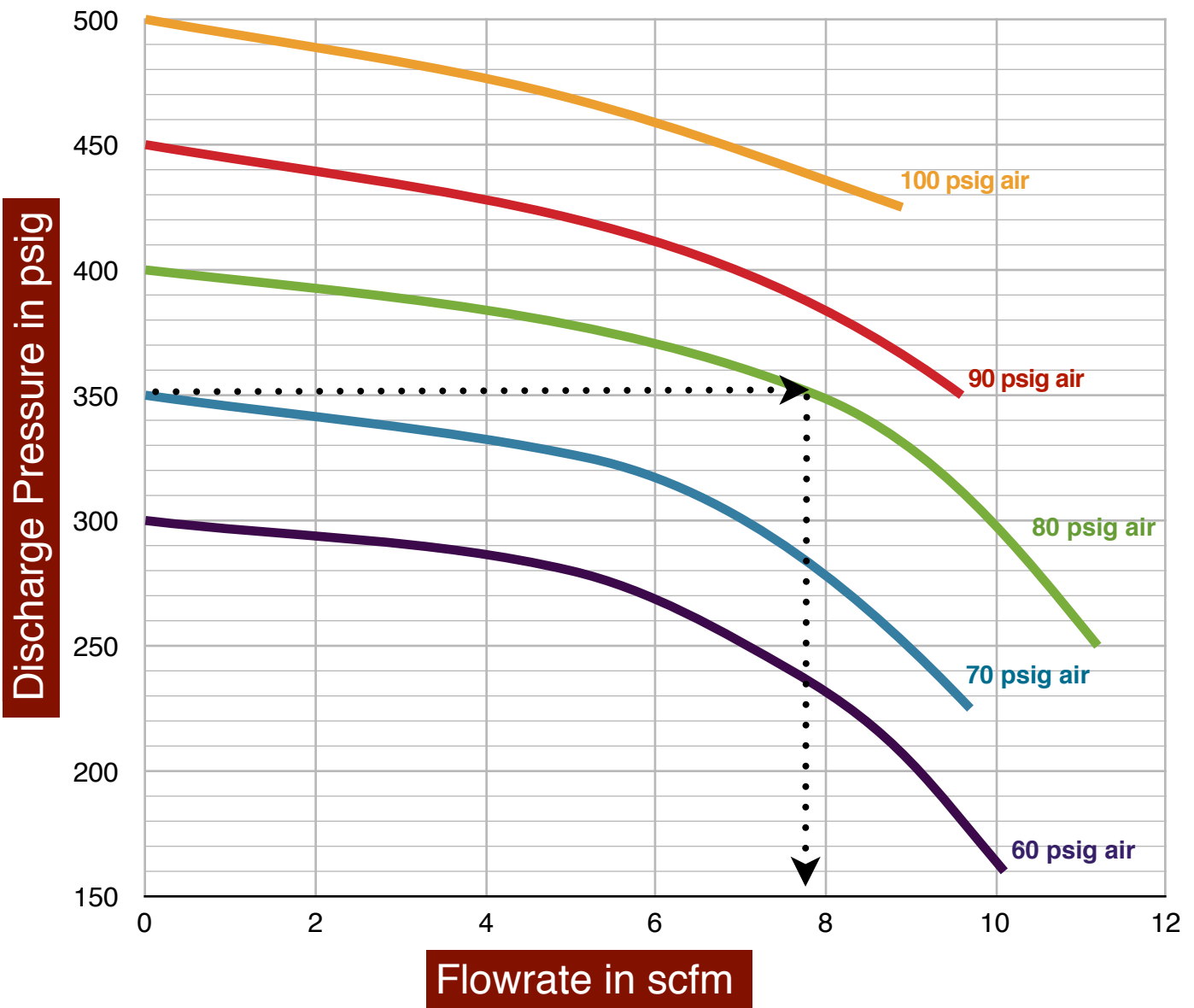


Midwest Pressure Systems, Inc.
 850 Transport Drive, Valparaiso, IN 46383
 Phone 219-462-0070

www.midwestpressuresystems.com

Shop Air Pressure Boosting

Drive air pressure and supply pressure are the same



Use the curves above to determine the Model S42A5 air pressure booster maximum discharge flowrate for a given set of operating conditions. In the example shown above, a maximum discharge pressure of 350 psig is desired and 80 psig supply

air curve. Draw a vertical line from the intersection down to the bottom line to determine the maximum flowrate of 7.9 scfm. The booster can operate at any flowrate from zero to the maximum flowrate. It will automatically adjust its operating speed as long as the required flowrate is in this range.



Midwest Pressure Systems, Inc.
850 Transport Drive, Valparaiso, IN 46383
Phone 219-462-0070

www.midwestpressuresystems.com

