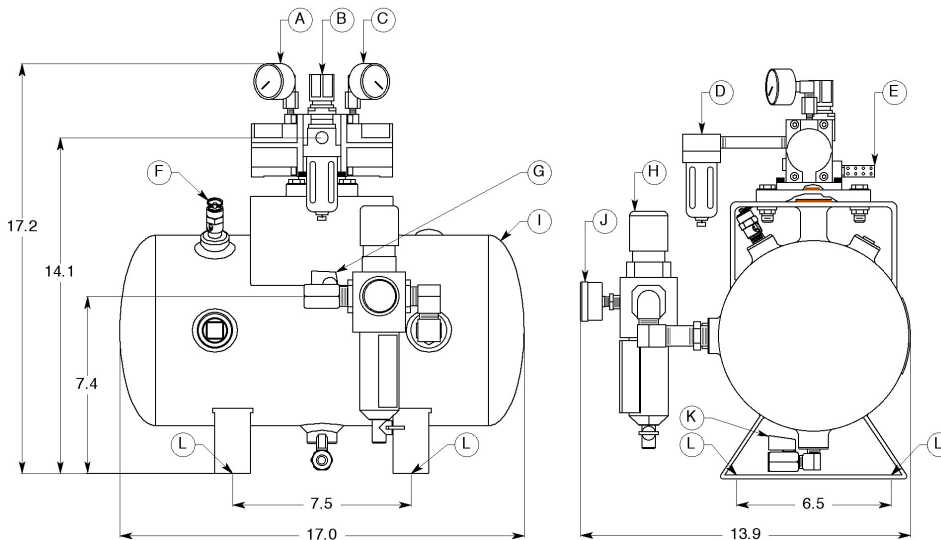


# Model Number RL03S-D

*Bootstrap Compressor 2:1 Ratio Air Pressure Booster*

The Bootstrap Compressor is an air-driven, air pressure booster. It requires no electricity, cooling water, or air-line lubricator and is explosionproof. Shop air is fed to the inlet port through a filter, and is split into two streams inside the booster. One stream flows to the compressor portion of the unit and is boosted to higher pressure. The other stream drives the compressor portion, and is consumed during booster operation. The drive air stream is regulated to maintain the discharge pressure set by the external regulator handle. Drive air consumption is approximately 1/2 to 1 times the amount of pressure-boosted air. For example, if 2 scfm of high pressure air is required, the Bootstrap Compressor will need 3 to 4 scfm of shop air, and 1 to 2 scfm of that air will be vented through an exhaust silencer. For a given shop air pressure, Model RL03S-D can deliver high pressure air at any flow rate up to the maximum shown in the table. The pressure regulator enables the booster to adjust automatically to changes in high pressure air demand or shop air pressure. When there is no demand for high pressure air, the booster stalls at the discharge pressure set by the regulator and consumes no energy. When there is a need for high pressure air, the pressure drops which causes the booster to restart automatically.



Dimensions are in inches.

**MPS**  
MIDWEST  
PRESSURE  
SYSTEMS

**Midwest Pressure Systems, Inc.**

1035 Entry Drive, Bensenville, IL 60106

Phone 630-766-6049 Fax 630-766-6236

[www.midwestpressuresystems.com](http://www.midwestpressuresystems.com)

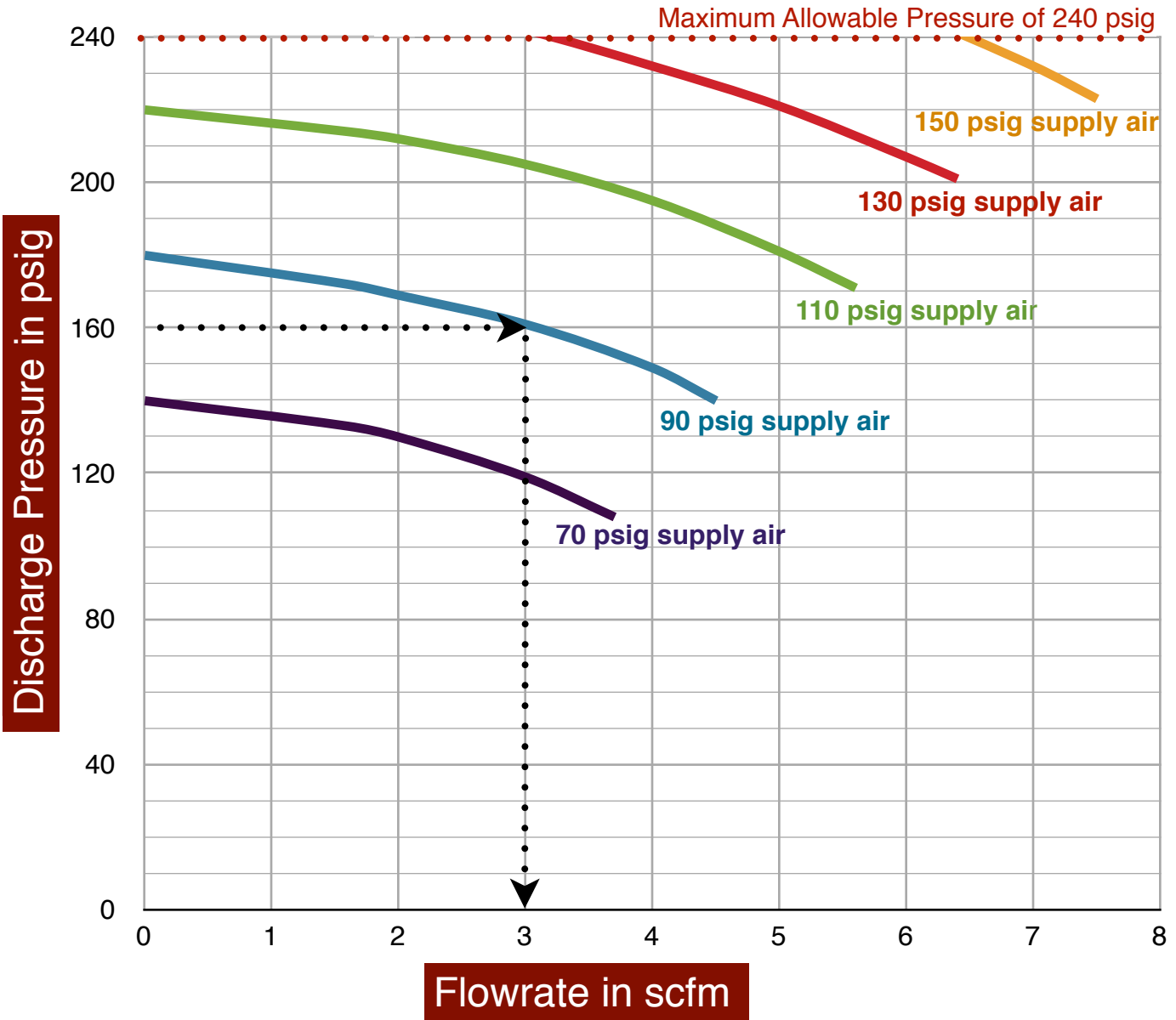
## MODEL RL03S-D FEATURES

- A. Inlet Pressure Gauge, 300 psig
- B. Built-in Pressure Regulator
- C. Tank Pressure Gauge, 300 psig
- D. 1/4" FNPT Inlet Filter
- E. Exhaust Silencer
- F. ASME Safety Valve, 250 psig
- G. 1/2" FNPT Shut-off Valve
- H. Discharge Regulator
- I. 3.5 gallon, 350psig ASME tank
- J. Discharge Pressure Gauge, 300 psig
- K. 1/4" FNPT condensate drain valve
- L. Four 1/2" diameter mounting holes

## MODEL RL03S-D SPECIFICATIONS

- Maximum 2 to 1 boost ratio
- Capable of 100% duty cycle
- Inlet pressure range of 15-150 psig
- Discharge pressure range of 15-240 psig
- Temperature range of 40-130°F
- Approximate weight of 35 pounds

# Model RL03S-D Flowrate vs Supply and Discharge



Use the curves above to determine the Model RL03S-D air pressure booster maximum discharge flow rate for a given set of operating conditions. In the example shown above, a maximum discharge pressure of 160 psig is desired and 90 psig supply air is available. Follow the 160 psig line until it intersects with the

90 psig supply air curve. Draw a vertical line from the intersection down to the bottom line to determine the maximum flow rate of 3.0 scfm. The booster can operate at any flow rate from zero to the maximum flow rate. It will automatically adjust its operating speed as long as the required flow rate is in this range.



**Midwest Pressure Systems, Inc.**  
 1035 Entry Drive, Bensenville, IL 60106  
 Phone 630-766-6049 Fax 630-766-6236  
[www.midwestpressuresystems.com](http://www.midwestpressuresystems.com)

