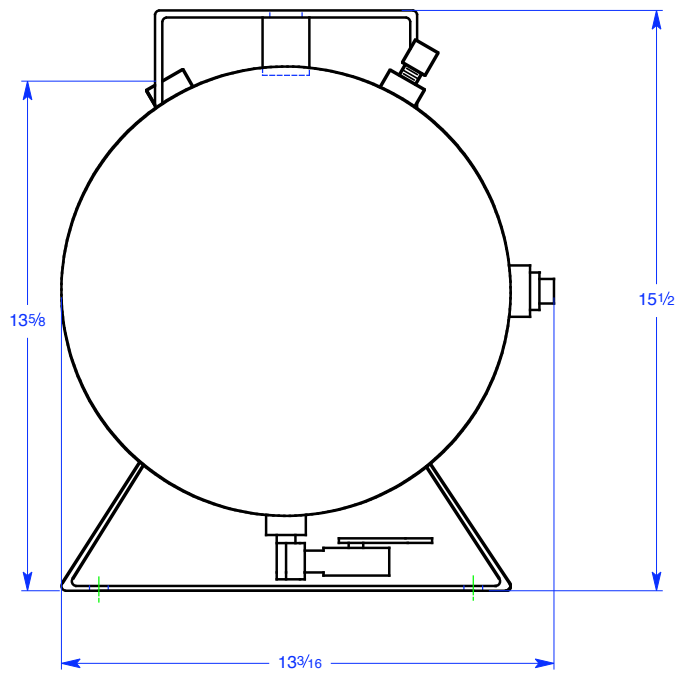
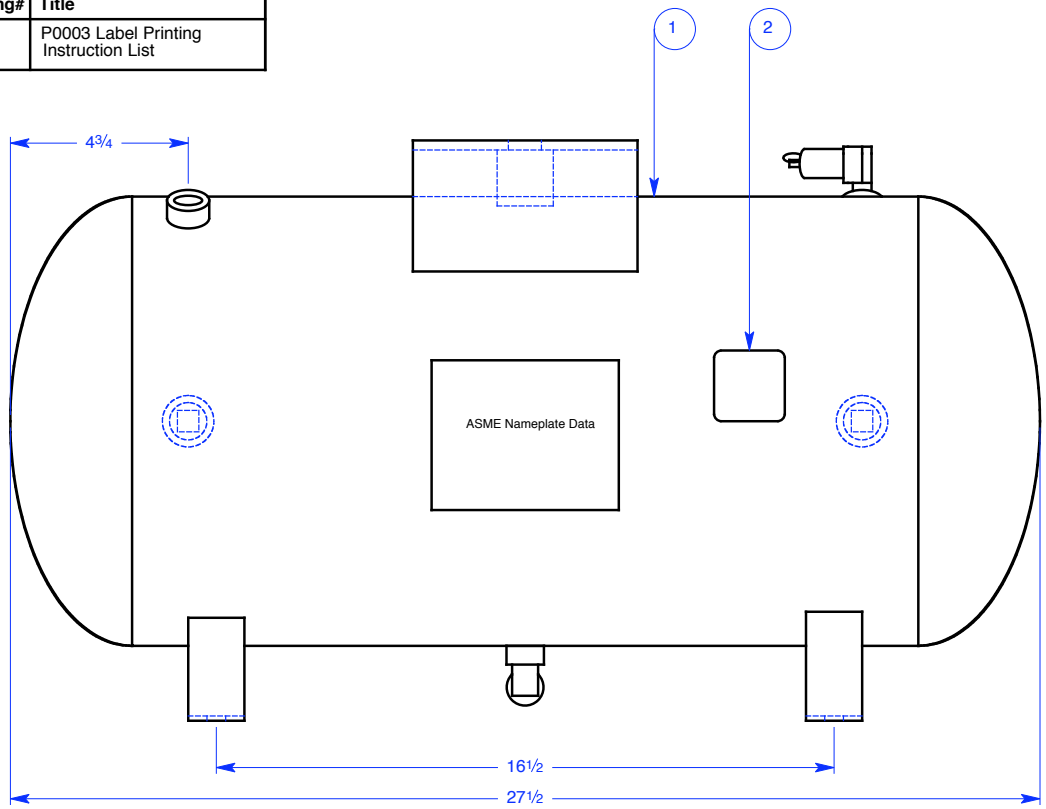



Reference Drawings	
Drawing#	Title
D0008	P0003 Label Printing Instruction List

REVISIONS			
REV	DESCRIPTION	DATE	APPROVED
1	Changed to 235 psi relief valve	3/4/04	RAV



Item	Part Number	Description	Qty
1	P0174	12 gallon, 235 psi tank	1
2	P0003	Logo Label	1
3	1004V22	235psi Relief Valve	1
4	1004L01	Street Elbow	1
5	1004V13	Vent Valve	1

NOTES:  
 1. Chase all female pipe ports on the tank, including the one on the platform, with an oiled pipe tap to clean them prior to assembly.  
 2. In referencing drawing D0008, use the following number: D0008-1.

UNLESS OTHERWISE SPECIFIED DIMENSIONS ARE IN INCHES TOLERANCES ON: 2 PL DECIMALS +/- 0.01 3 PL DECIMALS +/- 0.003 ANGLES +/- 0.5° FRACTIONS +/- 1/16	SIGNATURES		DATE	 <b>Midwest Pressure Systems, Inc.</b> 204 Easy Street • Carol Stream, IL 60188
	DRAWN	RAV	9/7/00	
	CHECKED			
	ENGRG			
MATERIAL:	ISSUED	RAV	9/7/00	<b>12 Gallon Tank Kit</b>  DWG NO <b>CC001</b>
				SCALE SHEET

B	DWG NO	CC001	REV	1
---	--------	-------	-----	---