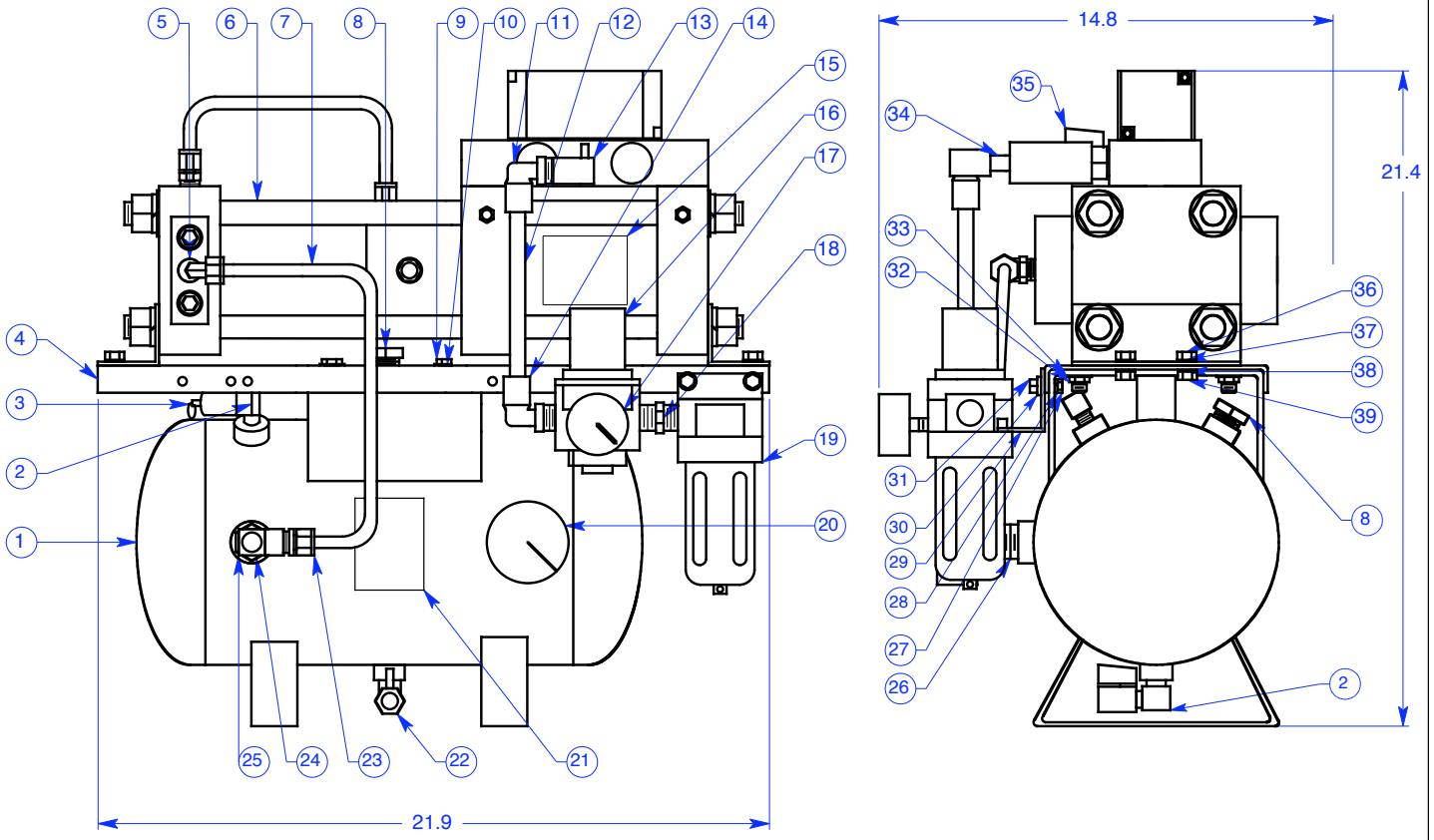


Item	Part Number	Description	Qty.
1	P0010	3.5 gal ASME receiver tank, 350 psi	1
2	1004L01	1/4 NPT Street elbow	2
3	1004V24	1/4 NPT, 350 psi relief valve, ASME	1
4	P0253	Mounting plate, 316 SS	1
5	1106L02	3/8 Tube by 1/2 NPT elbow, br	1
6	4040AAV24	2:1 Pressure booster	1
7	1306C035	3/8"OD by .035 wall tubing, copper	1
8	1008P01	1/2" NPT Hex plug, br	2
9	2135S01	M10 Screw, 35 mm, hexhead	4
10	2110W01	M10 Flat washer	4
11	1108L11	1/2 Tube by 3/8 NPT elbow, push-lock	1
12	1308N062	1/2 Nylon tubing, .062 wall	1
13	1006L05	3/8 FNPT by 3/8 FNPT elbow, br	1
14	1108L09	1/2 Tube by 1/2 MNPT elbow, push-lock	1
15	P0003	Product label, D0008-37	1
16	1008R01	1/2 NPT Regulator	1
17	1004G02	160 psi gauge	1
18	1008N01	1/2 NPT Nipple, hex	1
19	1008F02	1/2 NPT Filter	1
20	1004G04	1/4 NPT, 600 psi Pressure gauge	1
21	P0003	MPS logo label	1
22	1004V13	Vent Valve	1
23	1106A11	3/8" Tube by 3/8" NPT union, br	1
24	1012B03	3/4" NPT by 3/8" NPT Bushing, br	1
25	1006T02	3/8 NPT Run tee, br	1
26	1012B02	3/4 MNPT by 1/4 FNPT Bushing	1
27	2016N02	1/4-20 Nut	2
28	2016W01	1/4 Lockwasher	2
29	2016B02	Filter mounting bracket	1
30	2016W02	1/4 Flat washer	2
31	2016S03	1/4-20 Hex cap screw	2
32	2110N01	Nut	4
33	2110W02	Lockwasher	4
34	1006N01	3/8" MNPT nipple, br	1
35	1006V02	3/8" NPT Ball valve, 450 WOG	1
36	2020S04	5/16-18 Screw, 1.5" length	4
37	2020W01	5/16" Flatwasher	4
38	2020W03	5/16" Lockwasher	4
39	2020N01	5/16" Nut	4

REVISIONS			
REV	DESCRIPTION	DATE	APPROVED



UNLESS OTHERWISE SPECIFIED DIMENSIONS ARE IN INCHES TOLERANCES ON: 2 PL DECIMALS +/- 0.01 3 PL DECIMALS +/- 0.003 ANGLES +/- 0.5° FRACTIONS +/- 1/16	SIGNATURES	DATE	<b>MPS</b> Midwest Pressure Systems, Inc. MIDWEST PRESSURE SYSTEMS 204 Easy Street • Carol Stream, IL 60188	
	DRAWN JEC	6/28/05		
	CHECKED			
	ENGRG			
MATERIAL:	ISSUED JEC	6/28/05	Nitrogen Booster System	
			DWG NO S4040N3	REV
			SCALE	SHEET