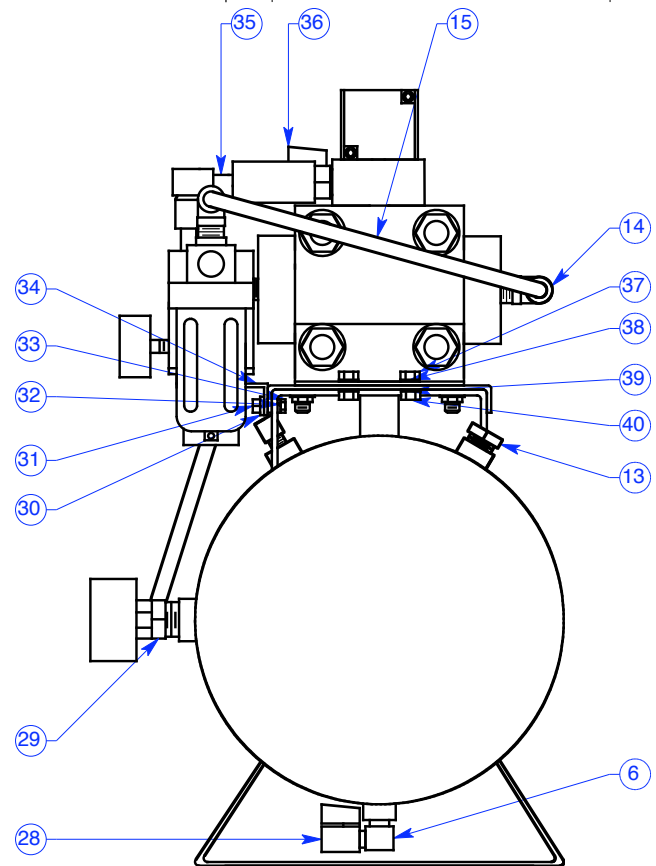
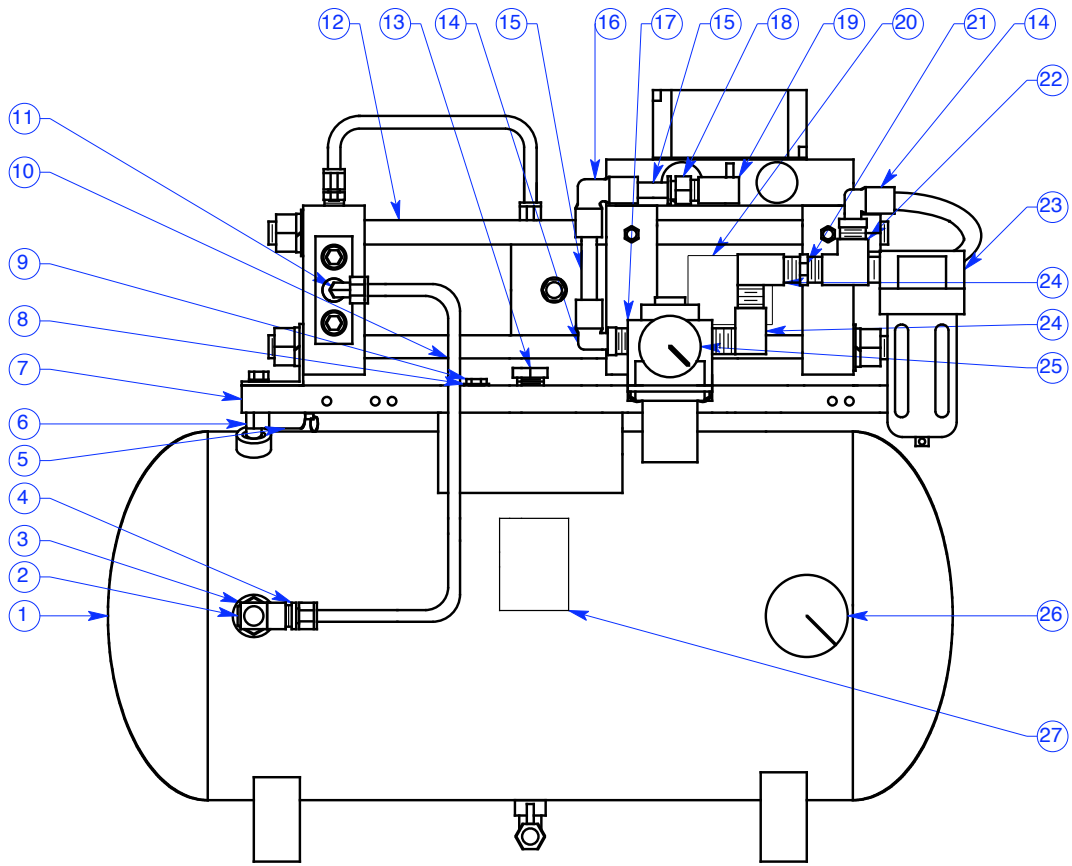


| REVISIONS | | | |
|-----------|-------------|------|----------|
| REV | DESCRIPTION | DATE | APPROVED |
| | | | |




| | | | | |
|--|------------|-------|-----------------|---|
| UNLESS OTHERWISE SPECIFIED DIMENSIONS ARE IN INCHES TOLERANCES ON: 2 PL DECIMALS +/- 0.01 3 PL DECIMALS +/- 0.003 ANGLES +/- 0.5° FRACTIONS +/- 1/16 | SIGNATURES | | DATE | MPS Midwest Pressure Systems, Inc. MIDWEST PRESSURE SYSTEMS 204 Easy Street • Carol Stream, IL 60188 |
| | DRAWN JEC | | 6/28/05 | |
| | CHECKED | | | |
| | ENGRG | | | |
| MATERIAL: | ISSUED JEC | | 6/28/05 | Air Booster System |
| | | | | |
| | | B | DWG NO S4030A12 | REV |
| | | SCALE | | SHEET |

| REVISIONS | | | |
|-----------|-------------|------|----------|
| REV | DESCRIPTION | DATE | APPROVED |
| | | | |

| Item | Part Number | Description | Qty. |
|------|-------------|---------------------------------------|------|
| 1 | P0174 | 12 gal ASME receiver tank | 1 |
| 2 | 1012B03 | 3/4 NPT by 3/8 NPT Bushing, br | 1 |
| 3 | 1006T02 | 3/8 NPT Run tee, br | 1 |
| 4 | 1106A11 | 3/8 Tube by 3/8 NPT union, br | 1 |
| 5 | 1004V22 | 1/4 NPT Relief valve, 235 psi | 1 |
| 6 | 1004L01 | 1/4 NPT Street elbow | 2 |
| 7 | P0253 | Mounting bracket, 316 SS | 1 |
| 8 | 2110W01 | Washer | 4 |
| 9 | 2135S01 | M10 Hexhead bolt, 35mm | 4 |
| 10 | 1306C035 | 3/8 by .035 wall tubing, copper | 1 |
| 11 | 1106L02 | 3/8 Tube by 1/2 NPT elbow, br | 1 |
| 12 | 4030AAV34 | Pressure booster | 1 |
| 13 | 1008P01 | 1/2 NPT Hex plug, br | 2 |
| 14 | 1108L09 | 1/2 Tube by 1/2 MNPT elbow, push-lock | 3 |
| 15 | 1308N062 | 1/2 by .062 wall tubing, nylon | 3 |
| 16 | 1108L10 | 1/2 Tube to 1/2 Tube elbow, push-lock | 1 |
| 17 | 1008R01 | 1/2 NPT Regulator | 1 |
| 18 | 1108A07 | 1/2 Tube by 3/8 NPT union, push-lock | 1 |
| 19 | 1006L05 | 3/8 FNPT by 3/8 FNPT elbow, br | 1 |
| 20 | P0003 | Product label, D0008-39 | 1 |

| Item | Part Number | Description | Qty. |
|------|-------------|----------------------------------|------|
| 21 | 1008N01 | 1/2 NPT Nipple, hex | 1 |
| 22 | 1008T03 | 1/2 NPT Run tee | 1 |
| 23 | 1008F02 | 1/2 NPT Filter | 1 |
| 24 | 1008L01 | 1/2 NPT Street elbow, br | 2 |
| 25 | 1004G02 | 160 psi gauge | 1 |
| 26 | 1004G03 | 1/4 NPT, 300 psi Pressure gauge | 1 |
| 27 | P0003 | MPS logo label | 1 |
| 28 | 1004V13 | Vent Valve | 1 |
| 29 | 1004B03 | 1/4 FNPT by 3/4 MNPT Bushing, br | 1 |
| 30 | 2016W02 | 1/4 Flat washer | 2 |
| 31 | 2016S03 | 1/4-20 Hex cap screw | 2 |
| 32 | 2016W01 | 1/4 Lockwasher | 2 |
| 33 | 2016N02 | 1/4-20 Nut | 2 |
| 34 | 2016B03 | 1008R01 Regulator bracket | 1 |
| 35 | 1006N01 | 3/8 NPT Nipple, br | 1 |
| 36 | 1006V02 | 3/8 NPT Ball valve, 450 WOG | 1 |
| 37 | 2020S04 | 5/16-18 Screw, 1.5" length | 4 |
| 38 | 2020W01 | 5/16 Flatwasher | 4 |
| 39 | 2020W03 | 5/16 Lockwasher | 4 |
| 40 | 2020N01 | 5/16 Nut | 4 |

| | | | |
|---|------------|---------|---|
| UNLESS OTHERWISE SPECIFIED: DIMENSIONS ARE IN INCHES TOLERANCES ON: 2 PL DECIMALS +/- 0.01 3 PL DECIMALS +/- 0.003 ANGLES +/- 0.5° FRACTIONS +/- 1/16 | SIGNATURES | DATE |  Midwest Pressure Systems, Inc. 204 Easy Street • Carol Stream, IL 60188 |
| | DRAWN JEC | 6/30/05 | |
| | CHECKED | | |
| | ENGRG | | |
| | ISSUED JEC | 6/30/05 | Air Booster System |
| MATERIAL: | | | |
| | | | |
| | | | DWG NO S4030A12 REV |
| | | | SCALE SHEET |