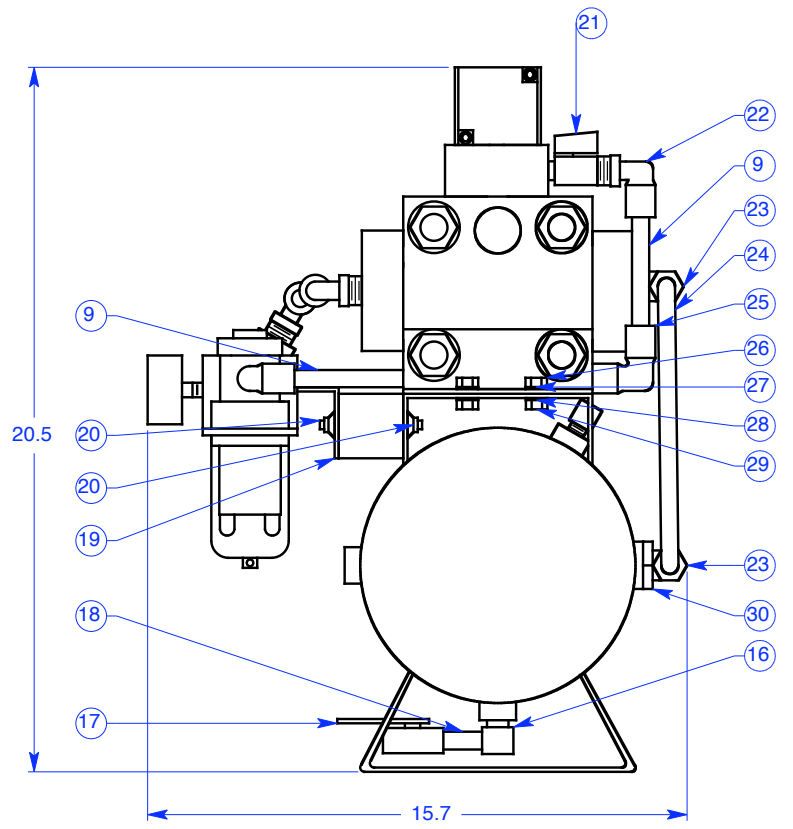
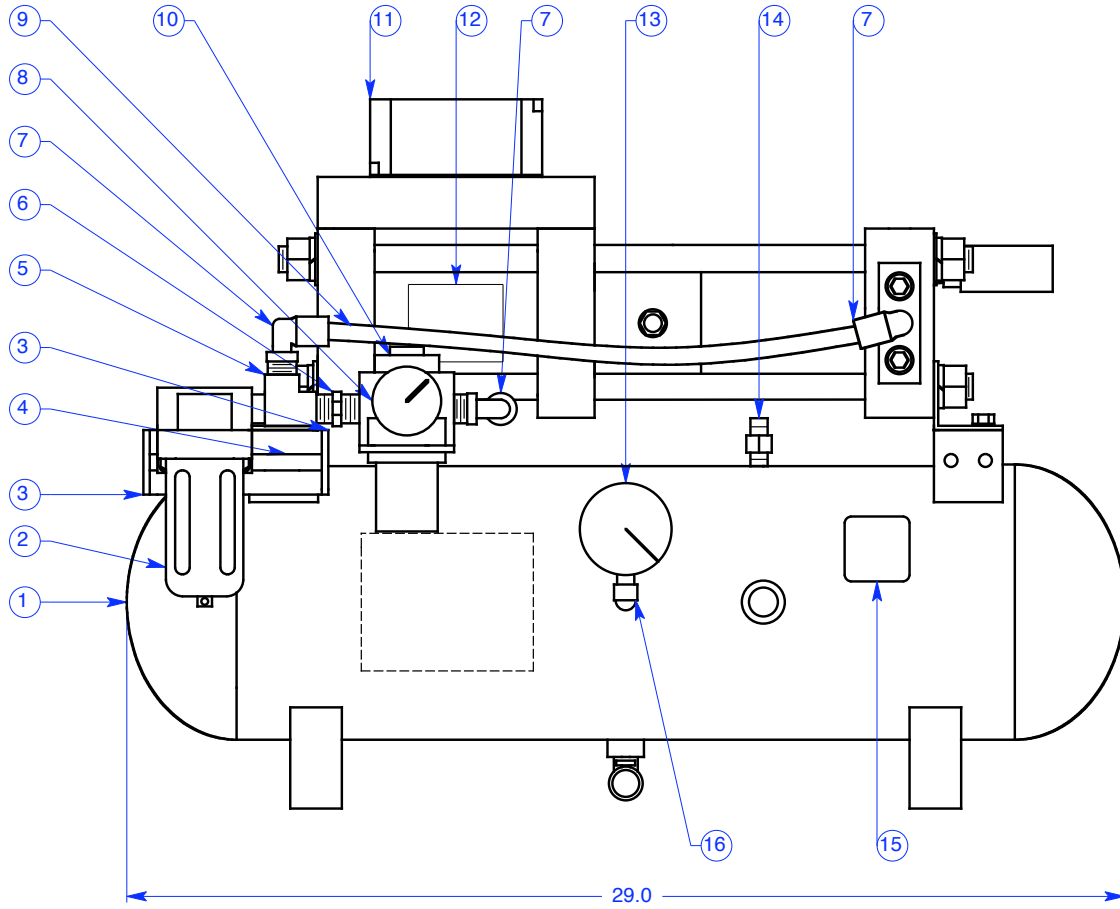


REVISIONS			
REV	DESCRIPTION	DATE	APPROVED



UNLESS OTHERWISE SPECIFIED DIMENSIONS ARE IN INCHES TOLERANCES ON: 2 PL DECIMALS +/- 0.01 3 PL DECIMALS +/- 0.003 ANGLES +/- 0.5° FRACTIONS +/- 1/16	SIGNATURES		DATE	<b>MPS</b> Midwest Pressure Systems, Inc. MIDWEST PRESSURE SYSTEMS 204 Easy Street • Carol Stream, IL 60188  <b>5:1 Air Booster System</b>
	DRAWN	JEC	6/8/05	
	CHECKED			
	ENGRG			
MATERIAL:	ISSUED	JEC	6/8/05	DWG NO <b>S4020A5</b> REV
				SCALE SHEET

Item	Part Number	Description	Qty.
1	P0252	5.5 gal ASME receiver tank, 625 psi	1
2	1008F02	1/2 NPT Filter	1
3	2300N01	Nylon end cap	2
4	3008A01	Aluminum rail, .15 m	1
5	1008T03	1/2 NPT Run tee, br	1
6	1008N01	1/2 NPT Nipple, hex	1
7	1108L09	1/2 Tube by 1/2" NPT elbow, push-lock	3
8	1004G02	160 psi gauge	1
9	1308N062	1/2 Nylon tubing, .062 wall, 200 psi	3
10	1008R01	1/2 NPT Regulator	1
11	4020AAV48	Pressure booster, 5:1 ratio	1
12	P0003	Product label, D0008-35	1
13	1004G01	Pressure gauge, 1000 psi	1
14	1004V01	Relief valve, 600 psi	1
15	P0003	Logo Label	1
16	1004L01	1/4 NPT Street elbow	2
17	1004V02	1/4" NPT Ball valve, br	1
18	1004N01	1/4" MNPT Nipple, br	1
19	2016B02	1008F02 Filter Bracket	1
20	2108S02	M8 tee screw, 19 mm w/ nut	4
21	1006V02	3/8 NPT valve, mini-ball, 450 WOG	1
22	1108L11	1/2 Tube by 3/8" NPT elbow, push-lock	1
23	1108L07	1/2" Tube by 1/2" NPT elbow, br	2
24	1308C049	1/2" OD Tubing, copper	1
25	1108L10	1/2 Tube by 1/2 Tube elbow, push-lock	1
26	2020S04	5/16-18 Screw, 1.5" length	4
27	2020W01	5/16" Flatwasher	4
28	2020W03	5/16" Lockwasher	4
29	2020N01	5/16" Nut	4
30	1012B01	3/4 NPT by 1/2 NPT Bushing, br	1

REVISIONS			
REV	DESCRIPTION	DATE	APPROVED

UNLESS OTHERWISE SPECIFIED DIMENSIONS ARE IN INCHES TOLERANCES ON: 2 PL DECIMALS +/- 0.01 3 PL DECIMALS +/- 0.003 ANGLES +/- 0.5° FRACTIONS +/- 1/16	SIGNATURES	DATE	<b>MPS</b> Midwest Pressure Systems, Inc. 204 Easy Street • Carol Stream, IL 60188  <b>5:1 Air Booster System</b>
	DRAWN JEC	6/8/05	
	CHECKED		
	ENGRG		
MATERIAL:	ISSUED JEC	6/8/05	DWG NO <b>S4020A5</b> REV
			SCALE SHEET